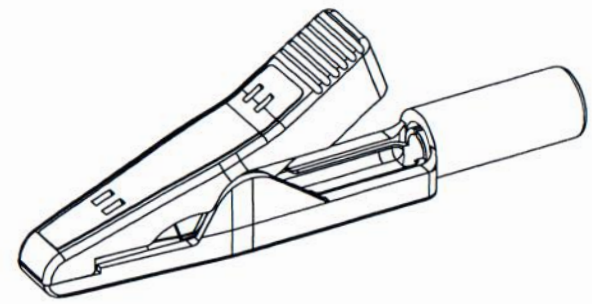
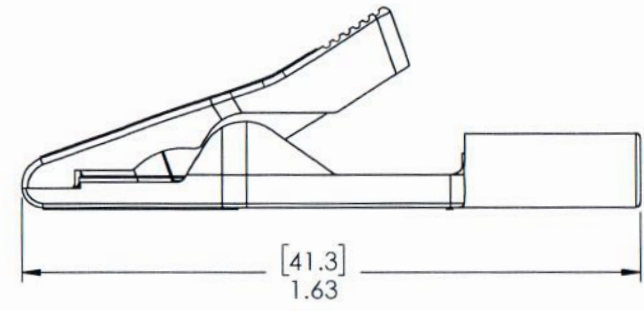
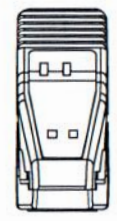
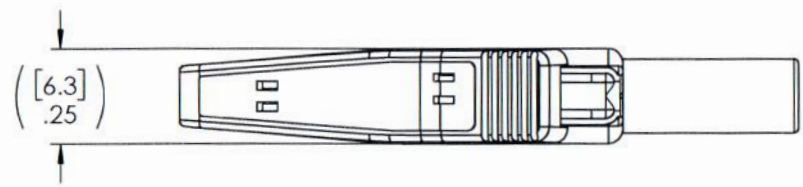
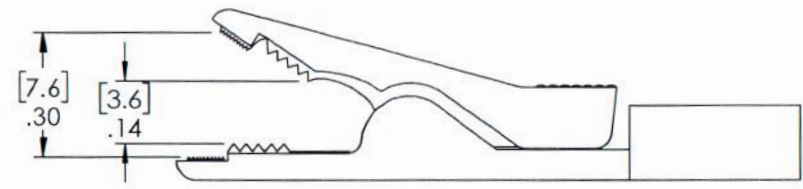


DWG
41741-50



REV	DESCRIPTION	DATE	BY
A	REL PER ECO 22559 WDS 6/19/14	7/7/14	WDS
REVISIONS			

TOLERANCES
UNLESS OTHERWISE SPECIFIED
ALL DIMENSIONS IN INCHES
DIMENSIONS IN [] METRIC

FRACTIONAL
±1/64

DECIMAL
.00 ±.01 [.25mm]
.000 ±.005 [.127mm]

ANGULAR
±.5°

APPROVALS	DATE
DRAWN WDS	7/1/14
CHECKED <i>T. Stump</i>	7/11/20
PROJ ENGR	
APPROVED <i>K. Epaly</i>	7/16/2020
PROJECT	FSCM

P Technologies
BECAUSE EVERYTHING CONNECTS

6591 Merriman Road, Roanoke, VA 24018
Phone: 540-772-7950 Fax: 540-989-7519

TITLE ASSEMBLY, CLIP, 215

SCALE 2:1

SIZE A	DWG 41741-50	REV A	SHT 1
		OF	1

THIS DRAWING CONTAINS CONFIDENTIAL AND PROPRIETARY INFORMATION AND MAY NOT BE ISSUED OR REPRODUCED, IN WHOLE, OR IN PART, WITHOUT THE EXPRESS WRITTEN PERMISSION OF P1 TECHNOLOGIES.