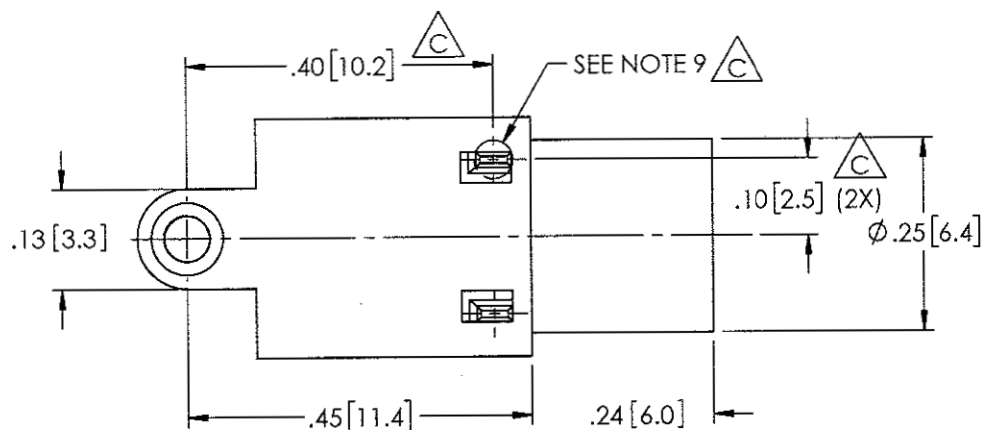
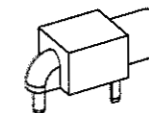



AUX VIEWS
SCALE: 1:1



NOTES:

1. MATERIAL: PBT
OTHER MATERIALS AVAILABLE
2. SIGNAL CONTACT PLATING: SOFT NICKEL, THEN SOFT GOLD
3. DUMMY CONTACT PLATING: SOFT NICKEL
4. PIN SETBACK: 0.08" [2MM]
EN 60601 TOUCHPROOF
5. GENERAL PERFORMANCE (CONTACT P IT FOR TEST CONDITIONS)
EXTRACTION FORCE: 2-7 lbs
LIFE CYCLE: 1000+ INSERTION CYCLES
HIPOT: 1000 VAC
MAX. CURRENT: 8 AMPS
6. OPERATING TEMPERATURE: +5° C to + 60° C
7. UL94 V-0/5V
8. WAVE SOLDERABLE
9. USE .050" [1.3] DIAMETER FOR CALCULATING PCB HOLE DIAMETER

REVISIONS				TOLERANCES		APPROVALS	DATE	 BECAUSE EVERYTHING CONNECTS 6591 Merriman Road, Roanoke, VA 24018 Phone: 540-772-7950 Fax: 540-989-7519
C	REV PER ECO 27895 TAS 10/7/16	10/18/16	SLH	UNLESS OTHERWISE SPECIFIED ALL DIMENSIONS IN INCHES DIMENSIONS IN [] METRIC		DRAWN X ZHOU	8/1/14	
B	REV PER ECO 24909 SLH 6/10/15	3/2/16	SLH	FRACTIONAL ±1/64		CHECKED <i>T. Stump</i>	7/7/20	SIZE DWG A 41828-50
A	RELEASE PER ECO 22882 XZ 8/1/14	8/12/14	SLH	DECIMAL .00 ±.01 [.25mm] .000 ±.005 [.127mm]		PROJ ENGR		
REV	DESCRIPTION	DATE	APPVD	ANGULAR ±.5°		APPROVED <i>R. Spauldy</i>	7/10/2020	
THIS DRAWING CONTAINS CONFIDENTIAL AND PROPRIETARY INFORMATION AND MAY NOT BE ISSUED OR REPRODUCED, IN WHOLE, OR IN PART, WITHOUT THE EXPRESS WRITTEN PERMISSION OF P1 TECHNOLOGIES.				PROJECT 7792		FSCM		