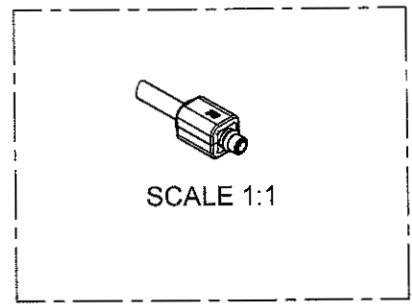
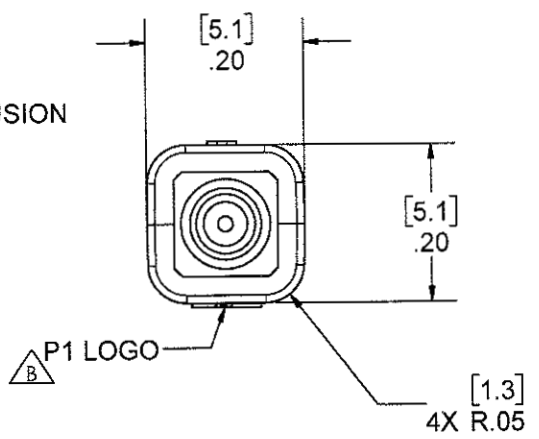
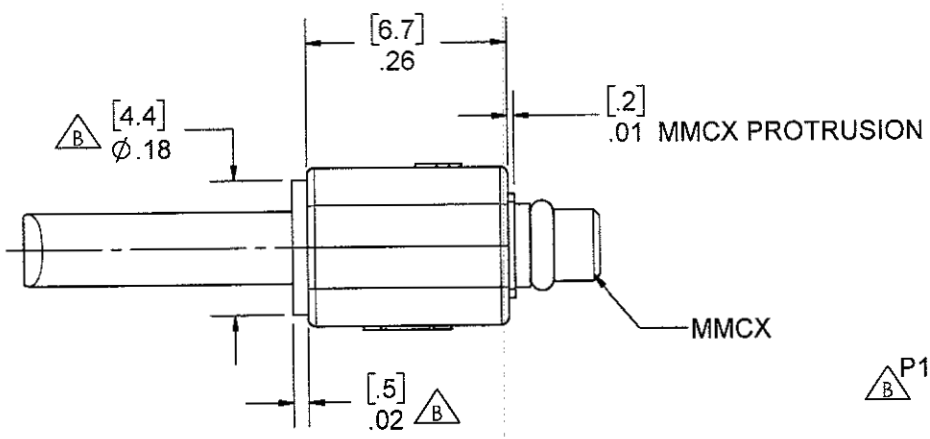
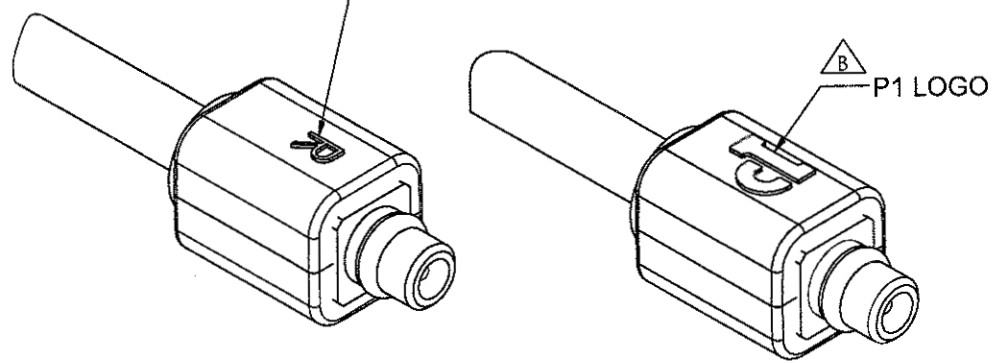
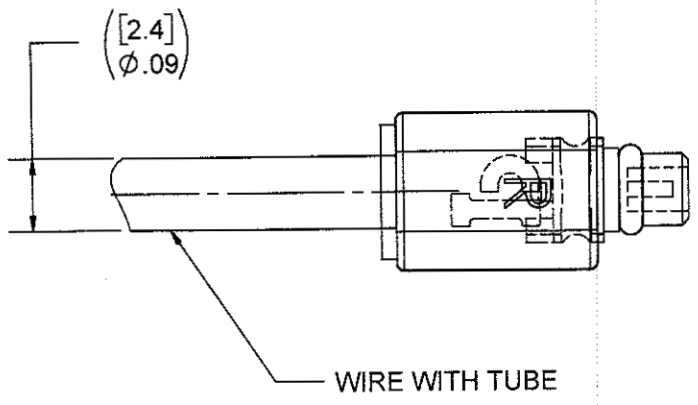


RIGHT OR LEFT DEPICTED .06 TALL
TEXT WITH .005 HIGH RAISED, POLISHED
LETTERS AS SHOWN



REV	DESCRIPTION	DATE	BY
B	REV PER ECO 37173, JLR, 12/15/20	1/7/21	JLR
A	REL PER ECO 36389 WDS 7/8/20	7/21/20	MWR

REVISIONS

THIS DRAWING CONTAINS CONFIDENTIAL AND PROPRIETARY INFORMATION AND MAY NOT BE ISSUED OR REPRODUCED, IN WHOLE, OR IN PART, WITHOUT THE EXPRESS WRITTEN PERMISSION OF P1 TECHNOLOGIES.

TOLERANCES UNLESS OTHERWISE SPECIFIED ALL DIMENSIONS IN INCHES DIMENSIONS IN [] METRIC	
FRACTIONAL ±1/64	
DECIMAL .00 ±.01 [.25mm] .000 ±.005 [.127mm]	
ANGULAR ±.5°	

APPROVALS	DATE
DRAWN WDS	7/8/20
CHECKED <i>T. Hoffman</i>	12/22/20
PROJ ENGR	
APPROVED <i>L. Sperry</i>	1/4/21
PROJECT 7804	FSCM

P1 Technologies
BECAUSE EVERYTHING CONNECTS

6591 Merriman Road, Roanoke, VA 24018
Phone: 540-772-7950 Fax: 540-989-7519

TITLE
CONNECTOR, 622, MMCX

SCALE 4:1

SIZE A	DWG 41900-50	REV B	SHT 1 OF 1
-----------	-----------------	----------	---------------