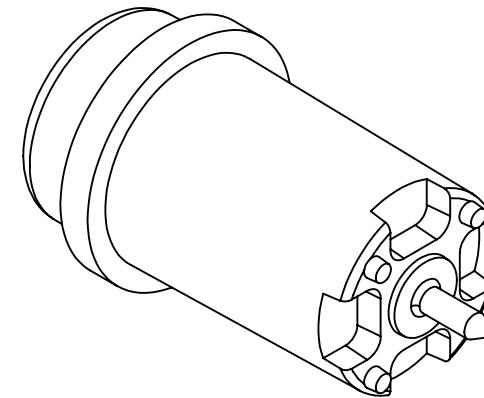
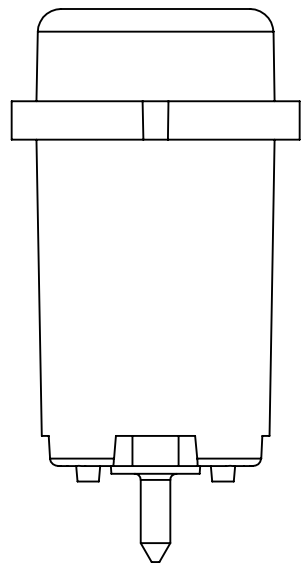


SECTION A-A
SCALE 4:1




D

C

B

A

TOLERANCES UNLESS OTHERWISE SPECIFIED ALL DIMENSIONS IN INCHES DIMENSIONS IN [.] METRIC FRACTIONAL ±1/64 DECIMAL .00 ±.01 [.25mm] .000 ±.005 [.127mm] ANGULAR ±.5°	APPROVALS	DATE	 BECAUSE EVERYTHING CONNECTS 6591 Merriman Road, Roanoke, VA 24018 Phone: 540-772-7950 Fax: 540-989-7519
	DRAWN MAB	10/9/23	
	CHECKED J. REHAK	10/9/23	
	PROJ ENGR		
	APPROVED J. REHAK	10/9/23	TITLE JACK, CUSTOM, 1.5 mm, TOUCHPROOF
	PROJECT	FSCM	SCALE 4:1
			SIZE DWG B 41933-50
			REV A SHT 1 OF 1

A	REL PER ECO 40859 MAB 10/9/23	10/12/23	SLB
REV.	DESCRIPTION	DATE	BY
REVISIONS			

THIS DRAWING CONTAINS CONFIDENTIAL AND PROPRIETARY INFORMATION AND MAY NOT BE ISSUED OR REPRODUCED, IN WHOLE, OR IN PART, WITHOUT THE EXPRESS WRITTEN PERMISSION OF P1 TECHNOLOGIES.