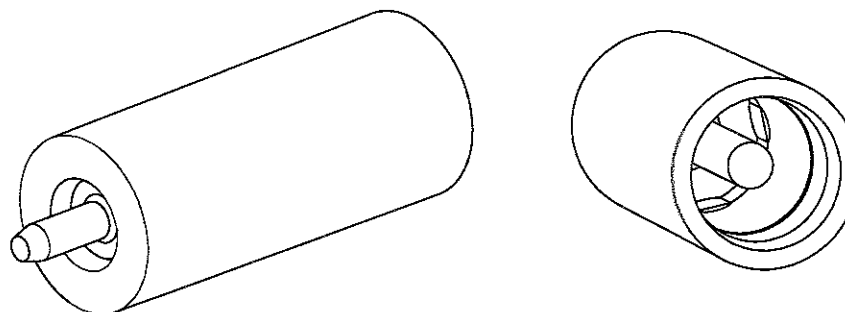



NOTES:

1. MATERIAL: PBT
OTHER MATERIALS AVAILABLE
2. SIGNAL CONTACT PLATING: SOFT NICKEL, THEN SOFT GOLD
3. PIN SETBACK: 0.06" (1.5 mm)
EN 60601 TOUCHPROOF
4. GENERAL PERFORMANCE (CONTACT P1T FOR TEST CONDITIONS)
EXTRACTION FORCE: 1.9 LBS MINIMUM (8.5 N)
LIFE CYCLE: 1000+ INSERTION CYCLES
MAX. CURRENT: 8 AMPS
5. OPERATING TEMPERATURE: +5° C to + 60° C
6. UL94 V-0/5V
7. WAVE SOLDERABLE
8. MATES WITH 441 (881), 503, 455, 592
9. DIN 42-802 Type BU



REVISIONS				TOLERANCES UNLESS OTHERWISE SPECIFIED ALL DIMENSIONS IN INCHES DIMENSIONS IN [] METRIC	APPROVALS	DATE	 BECAUSE EVERYTHING CONNECTS 6591 Merriman Road, Roanoke, VA 24018 Phone: 540-772-7950 Fax: 540-989-7519
REV	DESCRIPTION	DATE	BY		DRAWN		
B	REV PER ECO 38595 XZ 12/15/21	1/3/22	SLH	FRACTIONAL ±1/64 DECIMAL .00 ±.01 [.25mm] .000 ±.005 [.127mm] ANGULAR ±.5°	XZHOU	5/5/15	JACK, PCB, 1.5mm TOUCHPROOF SCALE 4:1
A	REL PER ECO 24666 XZ 5/5/15	5/14/15	AJCN		CHECKED		
					T. Ho Phan	12/16/21	SIZE DWG A 42193-50
					PROJ ENGR		REV B SHT 1 OF 1
					APPROVED	12/16/21	
					PROJECT	FSCM	

THIS DRAWING CONTAINS CONFIDENTIAL AND PROPRIETARY INFORMATION AND MAY NOT BE ISSUED OR REPRODUCED, IN WHOLE, OR IN PART, WITHOUT THE EXPRESS WRITTEN PERMISSION OF P1 TECHNOLOGIES.