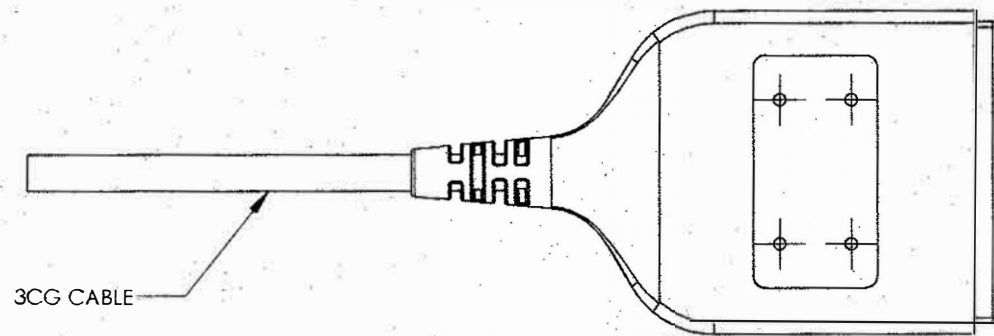
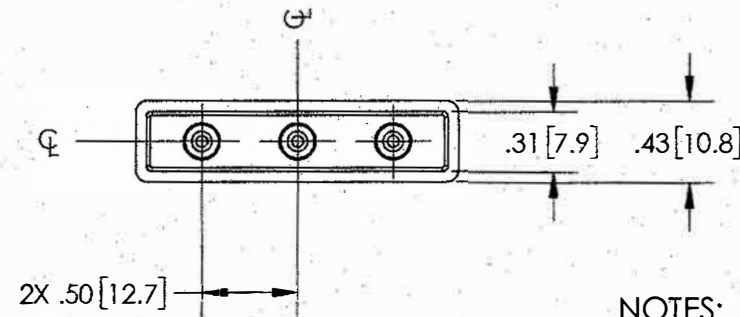
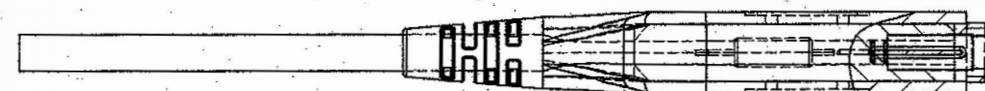
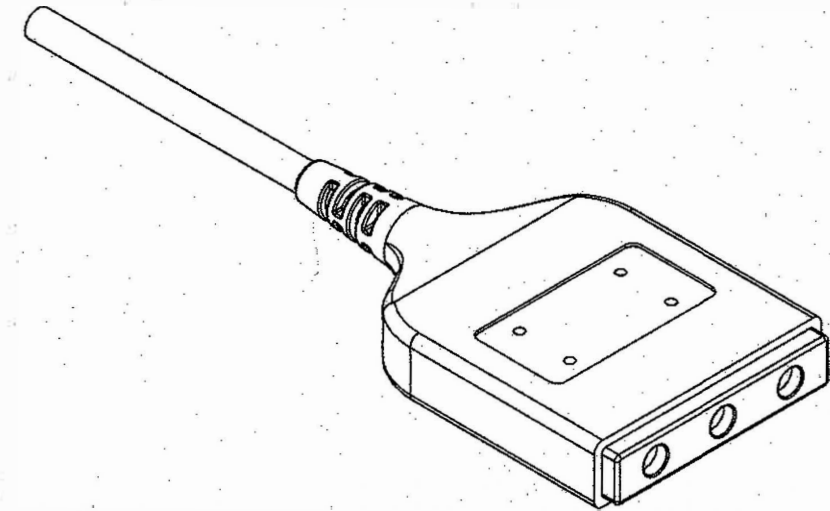
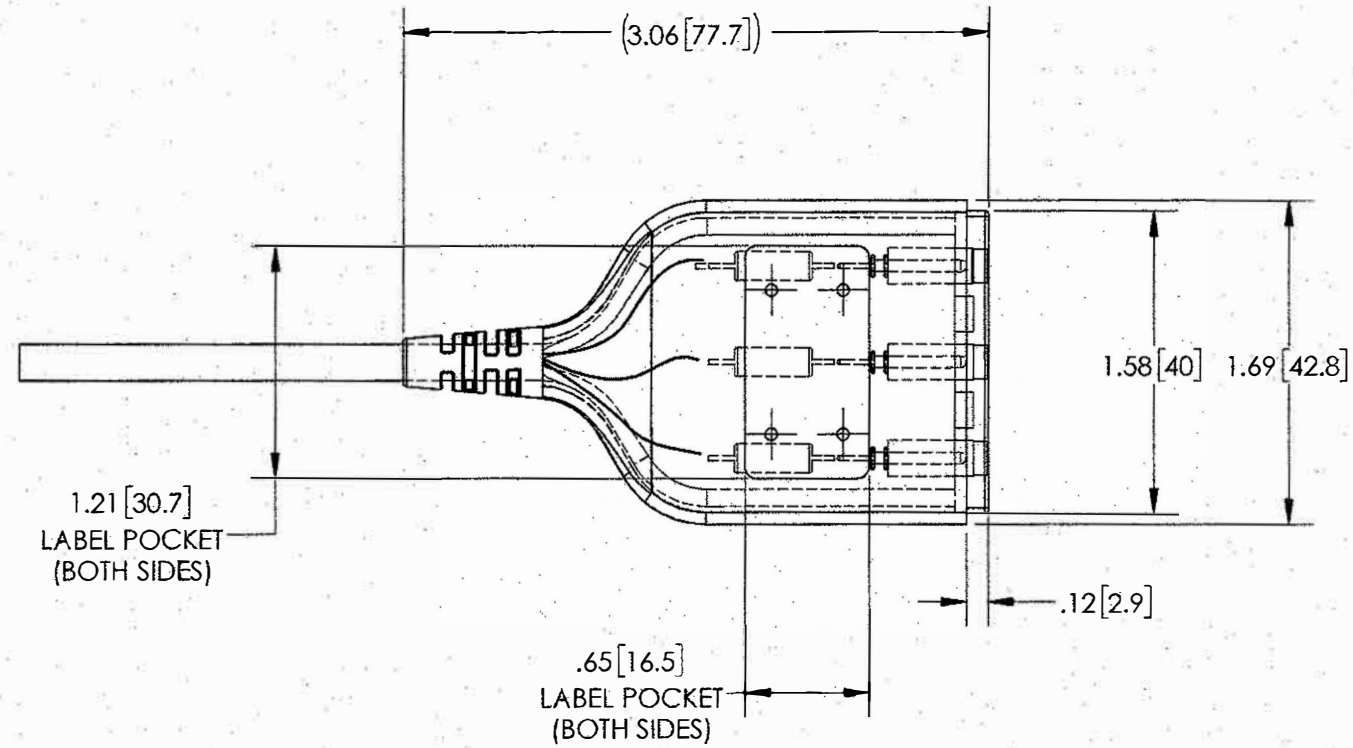


4

3

2

1



NOTES:

- OVERMOLD MATERIAL: VERSAFLEX TPE  
ISO 10993 COMPLIANT  
OTHER MATERIALS AVAILABLE
- SIGNAL CONTACT PLATING: SOFT NICKEL, THEN SOFT GOLD
- PIN SETBACK: 0.12" [3 MM]  
MEETS EN/IEC 60601 TOUCHPROOF
- GENERAL PERFORMANCE (CONTACT P1T FOR TEST CONDITIONS)  
EXTRACTION FORCE: 3.5 LBS AVERAGE (15.5 N)  
LIFE CYCLE: 1000+ INSERTION CYCLES  
HIPOT: 1000 VAC BETWEEN CONTACTS  
MAX. CURRENT: 8 AMPS
- DIN 42 802 COMPLIANT
- RESISTORS (SHOWN) OPTIONAL

THIS DRAWING CONTAINS CONFIDENTIAL AND PROPRIETARY INFORMATION AND MAY NOT BE ISSUED OR REPRODUCED, IN WHOLE, OR IN PART, WITHOUT THE EXPRESS WRITTEN PERMISSION OF P1 TECHNOLOGIES.

REV	DESCRIPTION	DATE	BY
B	REV PER ECO 38637 TAH 1/5/22	1/21/22	DCG
A	RELEASE PER ECO 34208 TAS 7/1/19	8/2/19	DCG
REVISIONS			

TOLERANCES UNLESS OTHERWISE SPECIFIED ALL DIMENSIONS IN INCHES DIMENSIONS IN [ ] METRIC		APPROVALS	DATE	 BECAUSE EVERYTHING CONNECTS 6591 Merriman Road, Roanoke, VA 24018 Phone: 540-772-7950 Fax: 540-989-7519
FRACTIONAL ±1/64	DECIMAL .00 ±.01 [.25mm] .000 ±.005 [.127mm]	DRAWN T. STUMP	7/1/19	
ANGULAR ±.5°		CHECKED P. Rohde	1/5/22	
		APPROVED P. Rohde	1/5/22	
		PROJECT 7998	FSCM	TITLE YOKE, 663 OVERMOLD, 3 PORT
		SIZE B	DWG 43085-50	SCALE 1:1
		REV B	SHT 1 OF 1	