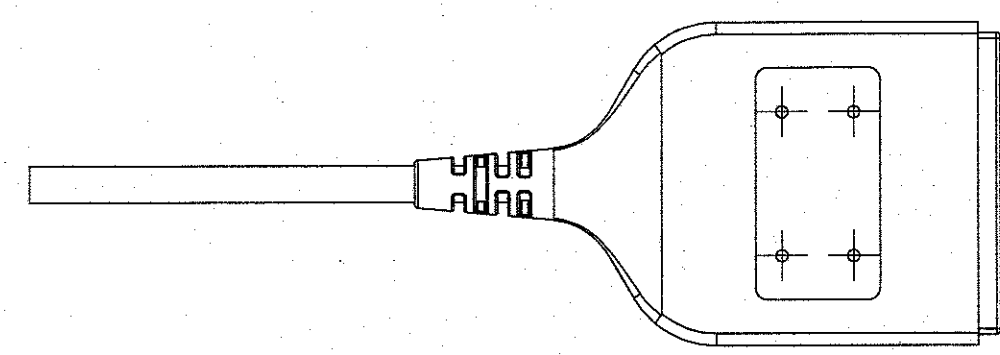
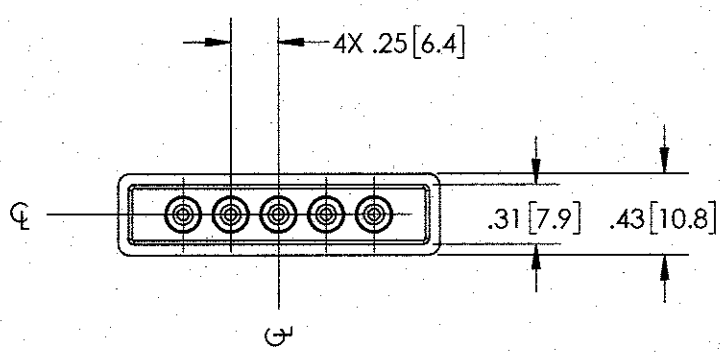
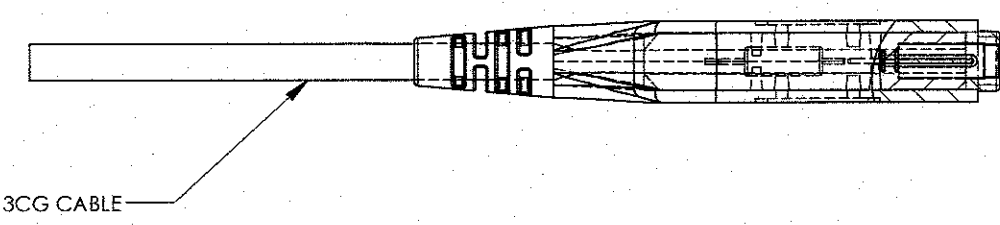
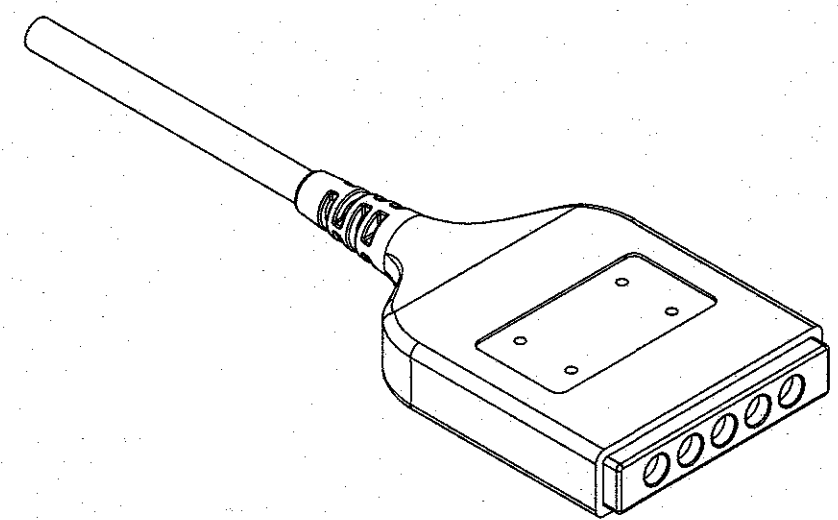
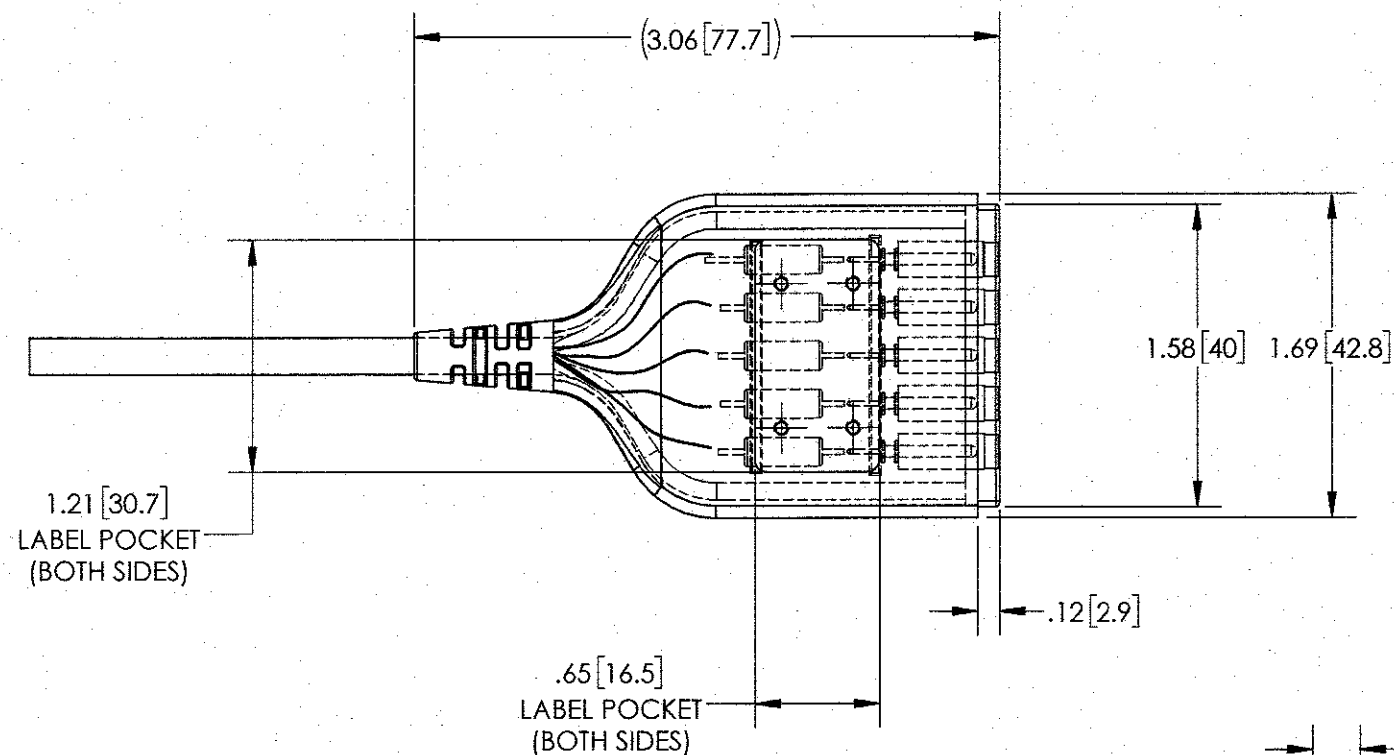


4

3

2

1



NOTES:

- 1. OVERMOLD MATERIAL: VERSAFLEX TPE
ISO 10993 COMPLIANT
OTHER MATERIALS AVAILABLE
- 2. SIGNAL CONTACT PLATING: SOFT NICKEL, THEN SOFT GOLD
- 3. PIN SETBACK: 0.12" [3 MM]
MEETS EN/IEC 60601 TOUCHPROOF
- 4. GENERAL PERFORMANCE (CONTACT P1T FOR TEST CONDITIONS)
EXTRACTION FORCE: 3.5 LBS AVERAGE (15.5 N)
LIFE CYCLE: 1000+ INSERTION CYCLES
HIPOT: 1000 VAC BETWEEN CONTACTS
MAX. CURRENT: 8 AMPS
- 5. DIN 42 802 COMPLIANT
- 6. RESISTORS (SHOWN) OPTIONAL

THIS DRAWING CONTAINS CONFIDENTIAL AND PROPRIETARY INFORMATION AND MAY NOT BE ISSUED OR REPRODUCED, IN WHOLE, OR IN PART, WITHOUT THE EXPRESS WRITTEN PERMISSION OF P1 TECHNOLOGIES.

REV	DESCRIPTION	DATE	BY
B	REV PER ECO 38637- TAH 1/5/22	1/21/22	DLB
A	RELEASE PER ECO 34208 TAS 7/1/19	8/2/19	DGC
REVISIONS			

TOLERANCES UNLESS OTHERWISE SPECIFIED ALL DIMENSIONS IN INCHES DIMENSIONS IN [] METRIC		APPROVALS DRAWN T. STUMP	DATE 7/1/19	<p>6591 Merriman Road, Roanoke, VA 24018 Phone: 540-772-7950 Fax: 540-989-7519</p>
FRACTIONAL ±1/64	CHECKED G. Kehde	PROJ ENGR	1/5/22	
DECIMAL .00 ±.01 [.25mm] .000 ±.005 [.127mm]	APPROVED G. Kehde	PROJECT 7998	FSCM	
ANGULAR ±.5°		SCALE 1:1		TITLE YOKE, 664 OVERMOLD, 5 PORT
		SIZE B	DWG 43086-50	REV B
				SHT OF 1