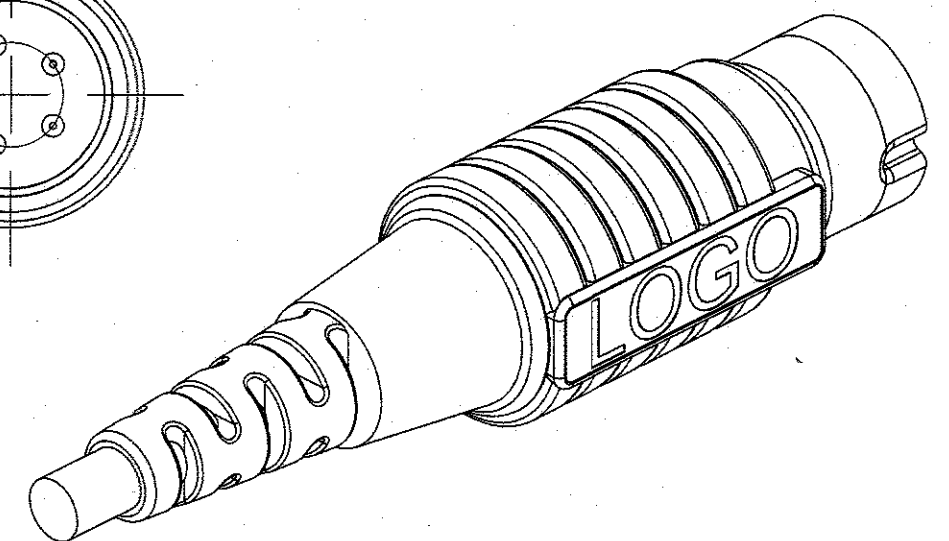
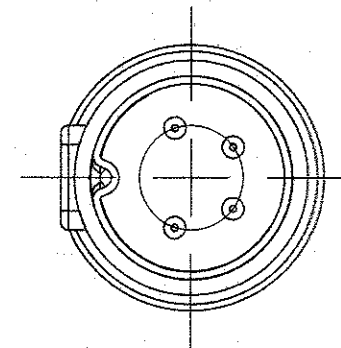
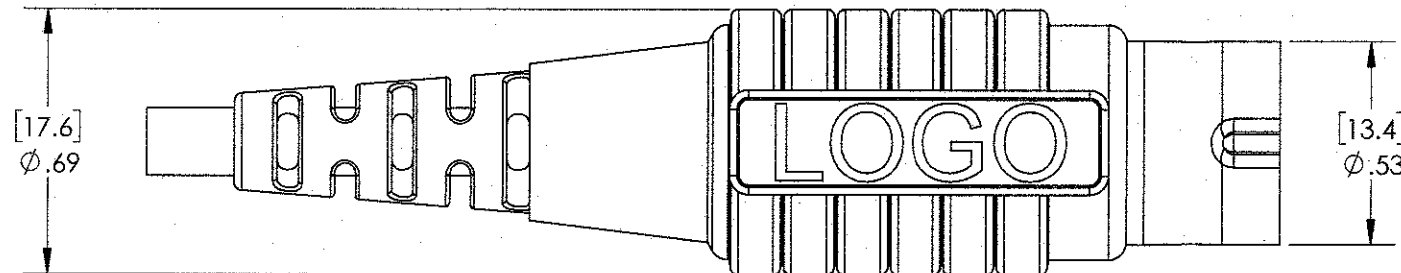
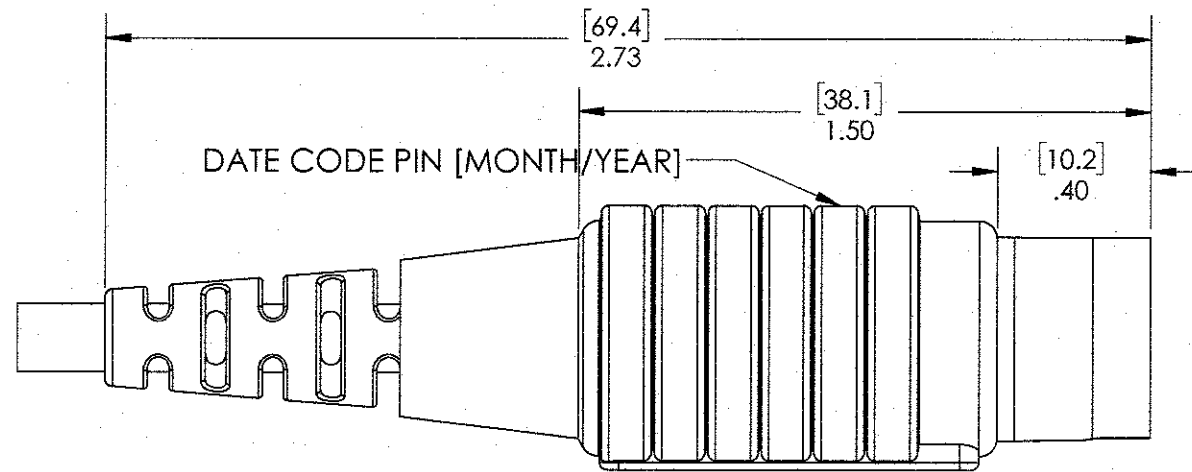


4

3

2

1



THIS DRAWING CONTAINS CONFIDENTIAL AND PROPRIETARY INFORMATION AND MAY NOT BE ISSUED OR REPRODUCED, IN WHOLE, OR IN PART, WITHOUT THE EXPRESS WRITTEN PERMISSION OF P1 TECHNOLOGIES.

REV	DESCRIPTION	DATE	BY
A	RELEASE PER ECO 36620 TAH 9/11/20	10/16/20	TAH
REVISIONS			

TOLERANCES		APPROVALS	DATE	 P Technologies <small>BECAUSE EVERYTHING CONNECTS</small> 6591 Merriman Road, Roanoke, VA 24018 Phone: 540-772-7950 Fax: 540-989-7519
UNLESS OTHERWISE SPECIFIED ALL DIMENSIONS IN INCHES DIMENSIONS IN [] METRIC		DRAWN T. HOFFMAN CHECKED <i>[Signature]</i> PROJ ENGR	8/13/20	
FRACTIONAL ±1/64		APPROVED <i>[Signature]</i> PROJECT	10/1/2020	TITLE CONNECTOR, 814, ROUND, 4 PIN DIN SCALE 2:1
DECIMAL .00 ±.01 [.25mm] .000 ±.005 [.127mm]				SIZE DWG B 43563-50
ANGULAR ±.5°				REV A SHT 1 OF 1

D

C

B

A