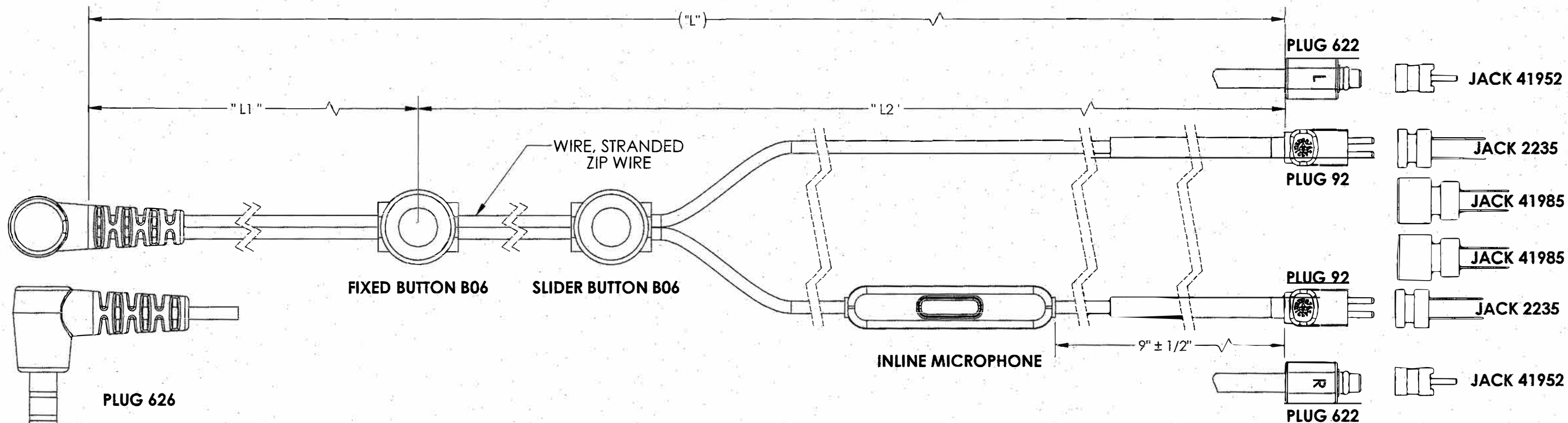


4

3

2

1



CABLE OPTIONS

PART #	COLOR	("L") ± 2"	"L1" (BODY LENGTH) ± 1"	"L2" (LEGS 2) ± 1"	IEM CONNECTOR	MICROPHONE
6030924XC050Y01	CRYSTAL	(50")	35"	15"	2 PIN (092)	NO
F10057	ONYX	(50")	35"	15"	2 PIN (092)	NO
6260925XC050Y02	CRYSTAL	(50")	35"	15"	2 PIN (092)	YES
F10102	ONYX	(50")	35"	15"	2 PIN (092)	YES
6036224XC050Y01	CRYSTAL	(50")	35"	15"	MMCX (622)	NO

NOTES:

1. TYPICAL CABLE RESISTANCE: 1.3 OHMS (50") PER LEG
2. TYPICAL CAPACITANCE: 145 PFD (SIGNAL AND COMMON)
3. TYPICAL BREAK STRENGTH: -20 LBS. (92 PLUG), -30 LBS. (PHONE PLUG & BINAURAL)
4. OVERMOLD MATERIAL: TPE
5. WIRE JACKET: PVC

JACK OPTIONS

PART #	COLOR	MATES TO
8R000223505F	CRYSTAL	2 PIN (092)
6GMMCXCONN04	GOLD	MMCX (622)
8R000223504F	ONYX	2PIN (092)
8R004198501F	CRYSTAL	2 PIN (092)

THIS DRAWING CONTAINS CONFIDENTIAL AND PROPRIETARY INFORMATION AND MAY NOT BE ISSUED OR REPRODUCED, IN WHOLE, OR IN PART, WITHOUT THE EXPRESS WRITTEN PERMISSION OF P1 TECHNOLOGIES.

REV	DESCRIPTION	DATE	BY
A	REL PER ECO 37121 XZ 12/4/20	12-14-20	TAB
	REVISIONS		

TOLERANCES UNLESS OTHERWISE SPECIFIED ALL DIMENSIONS IN INCHES DIMENSIONS IN [] METRIC		APPROVALS	DATE
FRACTIONAL ± 1/64	DECIMAL .00 ± .01 [.25mm] .000 ± .005 [.127mm]	DRAWN XZHOU CHECKED [Signature] PROJ/ENGR [Signature]	12/3/20
ANGULAR ± .5°		APPROVED [Signature] PROJECT [Signature]	
		Technologies <small>BECAUSE EVERYTHING CONNECTS</small> 6591 Merriman Road, Roanoke, VA 24018 Phone: 540-772-7950 Fax: 540-989-7519	
		TITLE CABLE ASSEMBLY, HI-RES MOTION SERIES, 626, B06, INLINE MICROPHONE, 92 SCALE 2:1	
SIZE B	DWG 43622-50	REV A	SHT 1 OF 1