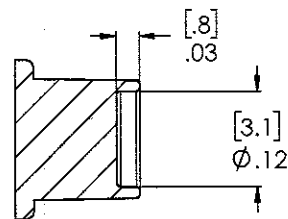
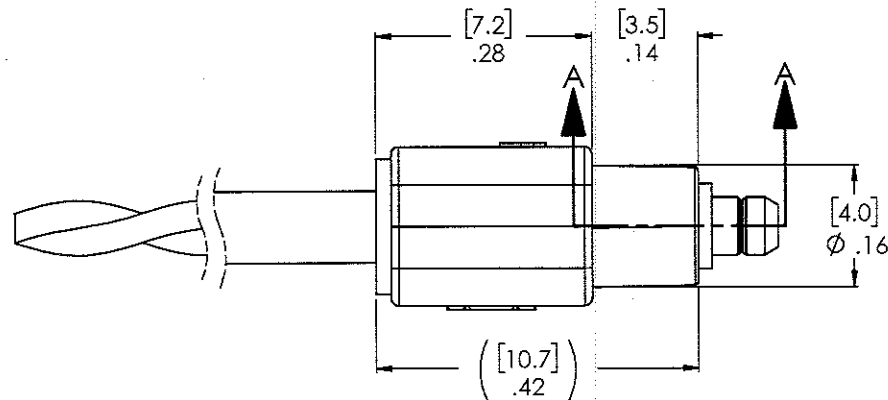
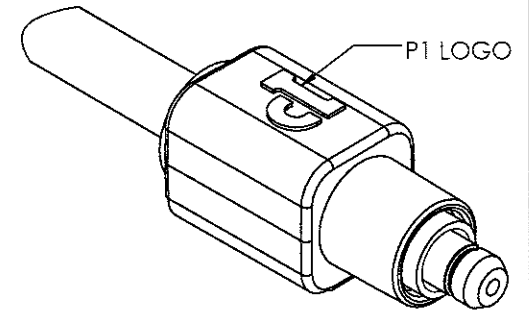
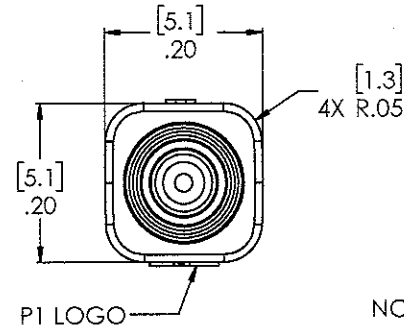
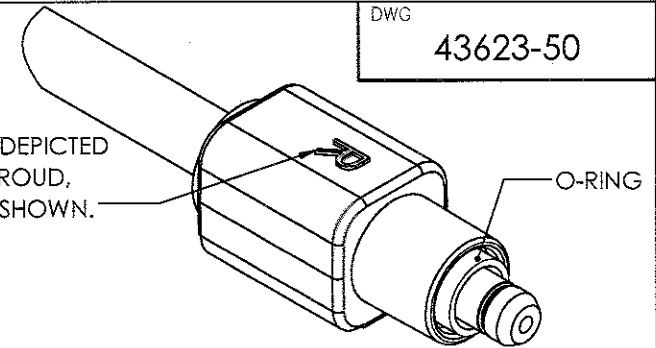


WIRE WITH TUBE
SEE NOTE 8




SECTION A-A
(T2 CONNECTOR HIDDEN FOR CLARITY)

RIGHT (R) OR LEFT (L) DEPICTED
.06" TALL TEXT, .005" PROUD,
POLISHED LETTERS AS SHOWN.



NOTES:

1. MATERIAL: ABS
2. SURFACE FINISH: VDI-33
3. ESTRON T2 PLUG PART NUMBER: 9900228
4. ESTRON T2 SOCKET PART NUMBER: 8100026
5. SEE DRAWING 43631 FOR SOCKET RECESS DETAILS.
6. STANDARD LEFT AND RIGHT CONNECTORS WILL BE SUPPLIED WITH AN IP-67 BLACK GASKET, PART NUMBER: 9900173.
7. IP-67 RED GASKET IS AVAILABLE UPON REQUEST, PART NUMBER: 9900175.
8. CONTACT SALES REPRESENTATIVE AT P1 TECHNOLOGIES FOR AVAILABLE WIRE, TUBE, AND FORMING WIRE OPTIONS.

				<p>TOLERANCES UNLESS OTHERWISE SPECIFIED ALL DIMENSIONS IN INCHES DIMENSIONS IN [] METRIC</p>		<p>APPROVALS</p>		<p>DATE</p>		 <p>P1 Technologies BECAUSE EVERYTHING CONNECTS</p> <p>6591 Merriman Road, Roanoke, VA 24018 Phone: 540-772-7950 Fax: 540-989-7519</p>	
				<p>FRACTIONAL ±1/64</p>		<p>DRAWN J. REHAK</p>		<p>12/9/20</p>			
				<p>DECIMAL .00 ±.01 [.25mm] .000 ±.005 [.127mm]</p>		<p>CHECKED <i>T. Hoffmann</i></p>		<p>12/22/20</p>			
				<p>ANGULAR ±.5°</p>		<p>PROJ ENGR</p>					
<p>REVISIONS</p>						<p>APPROVED <i>L. Gandy</i> 1/5/21</p>		<p>TITLE CONNECTOR, 1001, ESTRON T2, RECESSED</p>		<p>SCALE 4:1</p>	
<p>THIS DRAWING CONTAINS CONFIDENTIAL AND PROPRIETARY INFORMATION AND MAY NOT BE ISSUED OR REPRODUCED, IN WHOLE, OR IN PART, WITHOUT THE EXPRESS WRITTEN PERMISSION OF P1 TECHNOLOGIES, INC.</p>						<p>PROJECT 8080</p>		<p>FSCM</p>		<p>SIZE DWG A 43623-50</p>	
<p>REV DESCRIPTION</p>				<p>DATE BY</p>						<p>REV SHT A OF 1</p>	
<p>A RELEASE PER ECO 37173, JLR, 12/15/20</p>				<p>1/7/21 JLR</p>							