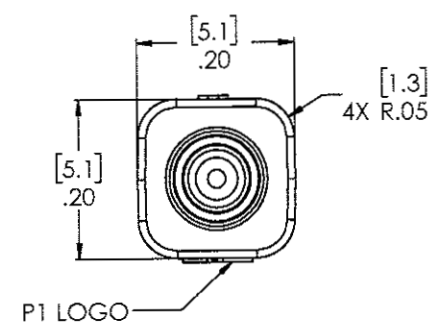
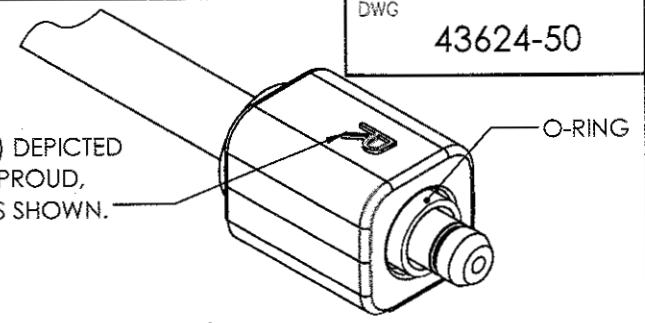


SECTION A-A
(T2 CONNECTOR & WIRE HIDDEN FOR CLARITY)

RIGHT (R) OR LEFT (L) DEPICTED
.06" TALL TEXT, .005" PROUD,
POLISHED LETTERS AS SHOWN.



NOTES:

1. MATERIAL: ABS
2. SURFACE FINISH: VDI-33
3. ESTRON T2 PLUG PART NUMBER: 9900228
4. ESTRON T2 SOCKET PART NUMBER: 8100026
5. STANDARD LEFT AND RIGHT CONNECTORS WILL BE SUPPLIED WITH AN IP-67 BLACK GASKET, PART NUMBER: 9900173.
6. IP-67 RED GASKET IS AVAILABLE UPON REQUEST, PART NUMBER: 9900175.
7. CONTACT SALES REPRESENTATIVE AT P1 TECHNOLOGIES FOR AVAILABLE WIRE, TUBE, AND FORMING WIRE OPTIONS.

| | | | | | | | | | | | | | |
|--|--|--|--|--|--|--------------------------------|--|-----------------|--|--|--|--|--|
| | | | | <p>TOLERANCES UNLESS OTHERWISE SPECIFIED ALL DIMENSIONS IN INCHES DIMENSIONS IN [] METRIC</p> | | <p>APPROVALS</p> | | <p>DATE</p> | | <p>P1 Technologies BECAUSE EVERYTHING CONNECTS</p> <p>6591 Merriman Road, Roanoke, VA 24018 Phone: 540-772-7950 Fax: 540-989-7519</p> | | | |
| | | | | <p>FRACTIONAL ±1/64</p> | | <p>DRAWN J. REHAK</p> | | <p>12/9/20</p> | | | | <p>TITLE CONNECTOR, 1002, ESTRON T2, FLUSH</p> | |
| | | | | <p>DECIMAL .00 ±.01 [.25mm] .000 ±.005 [.127mm]</p> | | <p>CHECKED T. Hoffman</p> | | <p>12/22/20</p> | | | | | |
| <p>REVISIONS</p> | | | | <p>ANGULAR ±.5°</p> | | <p>APPROVED K. Spauldy</p> | | <p>1/5/21</p> | | <p>SIZE DWG A 43624-50</p> | | | |
| <p>THIS DRAWING CONTAINS CONFIDENTIAL AND PROPRIETARY INFORMATION AND MAY NOT BE ISSUED OR REPRODUCED, IN WHOLE, OR IN PART, WITHOUT THE EXPRESS WRITTEN PERMISSION OF P1 TECHNOLOGIES, INC.</p> | | | | | | <p>PROJECT 8080</p> | | <p>FSCM</p> | | <p>REV SHT A 1 OF 1</p> | | | |